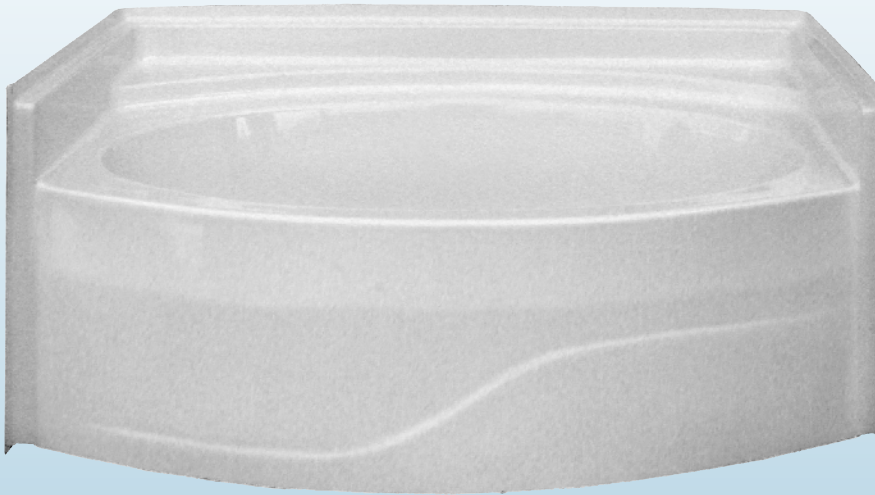




COLUMBIA

- 014-6002L Left Drain
- 014-6005R Right Drain

TUB



OVERALL DIMENSIONS

- Length 59-7/8"
- Width 44"
- Height 27-3/4"
- Apron Height 22"
- Weight 100 lbs.

KEY FEATURES

- One-Piece Construction
- Oval Shaped for Stylish Bathing Area
- Molded-in Soap Holder
- 5" Raised Wainscot Around Unit

• MATERIALS & CONSTRUCTION

Durable fiberglass with smooth gelcoat finish provides a scratch and mar resistant surface. Problems of mold, mildew, leaks and caulking replacement are completely eliminated.

• MAINTENANCE

A soft cloth and a liquid household cleaner are all that is needed to clean the durable fiberglass non-porous gelcoat surface. Scouring powders and other abrasives should be avoided.

• WARRANTY

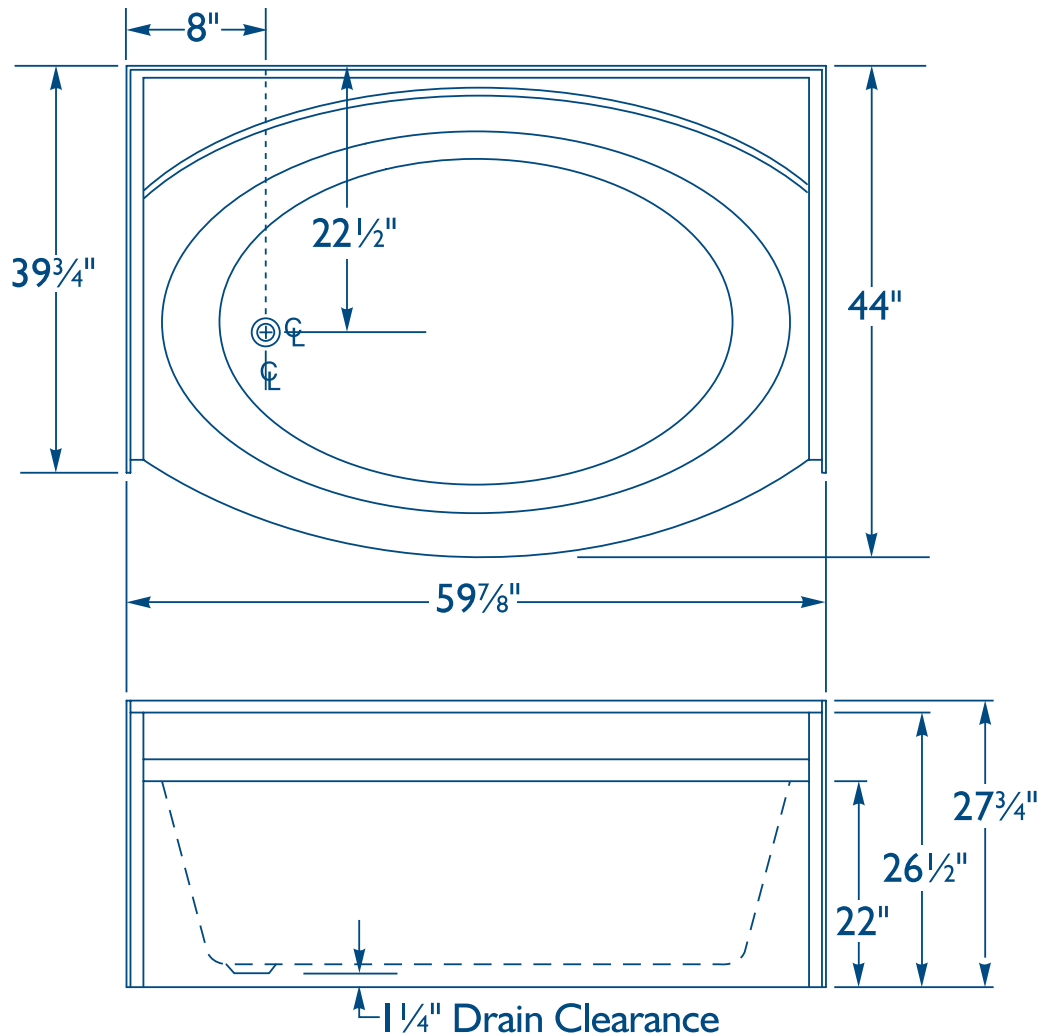
Carolina Classic warrants to the purchaser a 3 year warranty from date of installation against defects in material and workmanship only. See your supplier for more details.



COLUMBIA

TUB

- 014-6002L Left Drain
- 014-6005R Right Drain



- Faucets are not included
- All fixtures dimensions are nominal and may vary within +/- 1/4"
- All measurements shown are subject to change or cancellation.