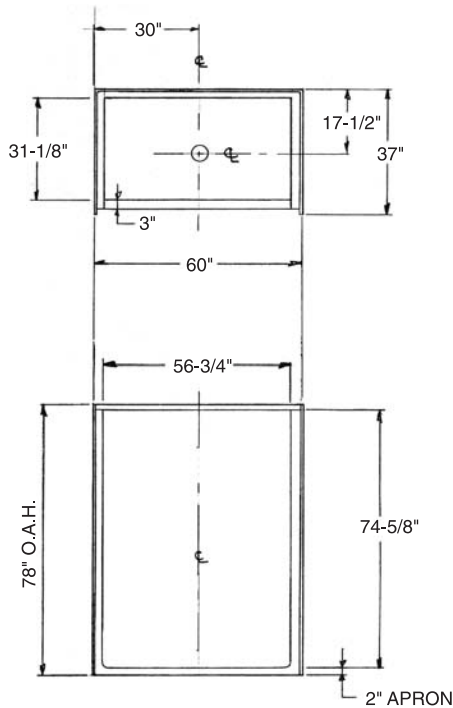


**MODEL  
034-6037**



**GEL-COATED FIBERGLASS**

- **LENGTH – 60"**
  - **WIDTH – 37"**
  - **HEIGHT – 78"**
  - **APRON HEIGHT – 2" \***
  - **APPROX. WEIGHT – 170 lbs.**
- 
- **ONE PIECE CONSTRUCTION**
  - **WALLS REINFORCED WITH 1/2" OSB**
  - **FOLD-UP SEATS, CURTAIN RODS, HANDICAP BARS AND SHOWER COMPONENTS ARE AVAILABLE**
  - **UNIT MUST BE RECESSED TO COMPLY WITH ANSI A1117.1 & ANSI Z124.5**



**MATERIALS & CONSTRUCTION**

CCM gelcoat fiberglass reinforced tub/shower has an elegant, lustrous appearance. Durable gelcoat finish provides a scratch and mar resistant surface. Problems of mold, mildew, leaks and caulking replacement are completely eliminated. One piece construction offers greater rigidity for ease in handling during installation.



**MAINTENANCE**

A soft cloth and a liquid household cleaner are all that is needed to clean the durable fiberglass non-porous gelcoat surface. Scouring powders and other abrasives should be avoided.



**WARRANTY**

CCM warrants to the purchaser a 3 year warranty from date of installation against defects in material and workmanship only. Additional warranty information may be obtained from your supplier of CCM products.

Faucets are not included. All fixture dimensions are nominal and may vary within the range of tolerances established by ANSI standards, Z124.2. All measurements shown are subject to change or cancellation.

**CAROLINA CLASSIC MANUFACTURING, INC. • 510 E. JONES STREET • WILSON, NC 27893 • 1-800-775-8827 • FAX 1-252-243-0579**

