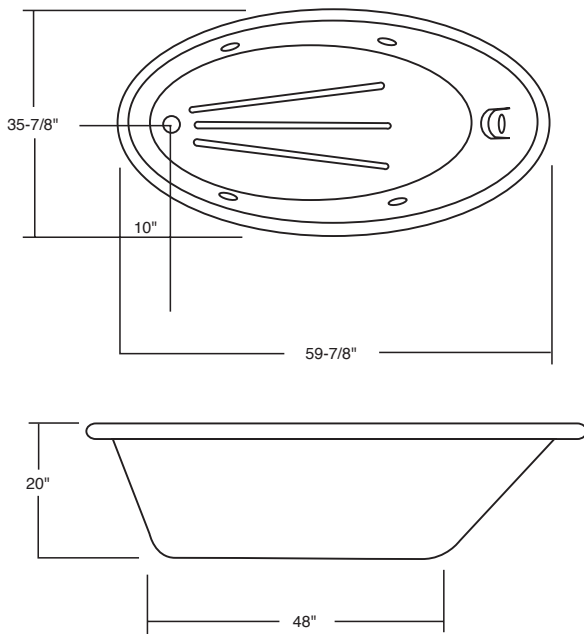




MODEL
044-6040 WP
Drop-In Unit



ACRYLIC

- LENGTH – 59-7/8"
- WIDTH – 35-7/8"
- HEIGHT – 20"
- APPROX. WEIGHT – 135 lbs.

- 5 COLOR COORDINATED FLOW CONTROL JETS
- SEPARATE AIR CONTROL
- EASY TO REACH AIR OPERATED ON/OFF SWITCH
- 1 HORSE-POWER MOTOR/PUMP WIRED FOR PLUG-IN INSTALLATION

OPTIONS

- OPTIONAL LEVELING BASE (ADD 2-1/2" TO HEIGHT OF UNIT)
- SPECIFY MOTOR ON LEFT OR RIGHT SIDE



MATERIALS & CONSTRUCTION

CCM acrylic fiberglass reinforced soakers and whirlpools are manufactured with thick .125 (1/8"), non-porous, non-stick, high gloss, color fast acrylic sheet. A thick sheet of acrylic drastically improves the tubs quality and ability to withstand years of everyday use.



MAINTENANCE

A soft cloth and a non-abrasive liquid household cleaner is the only equipment needed to clean and maintain the durable acrylic non-porous surface of your unit. Scouring powders and other abrasives should be avoided.



WARRANTY

CCM, INC. warrants all acrylics to be free from defects in materials and workmanship in the finish and structure for a period of three years. The whirlpool system including pump motor is warranted for a period of one year.

Faucets are not included. All fixtures dimensions are normal and may vary within the range of tolerances established by ANSI standards, Z124.2 all measurements shown are subject to change or cancellation.

CAROLINA CLASSIC MANUFACTURING, INC. • 510 E. JONES STREET • WILSON NC 27893 • 1-800-775-8827 • FAX 1-919-243-0579

