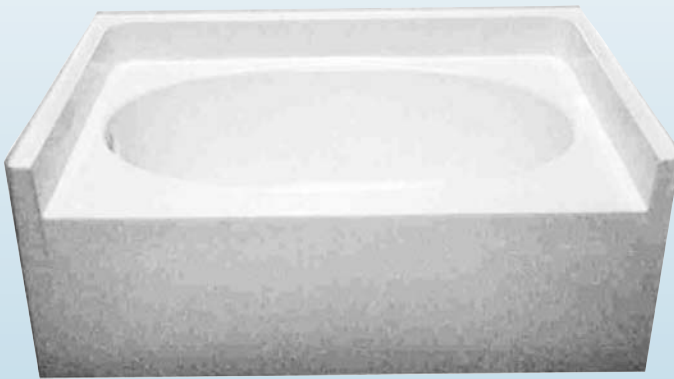




# WILLIAM

- **014-4001 Center Drain**

## TUB



### OVERALL DIMENSIONS

- *Length* 60"
- *Width* 42"
- *Height* 25-1/2"
- *Weight* 96 lbs.

### KEY FEATURES

- *One piece construction*
- *Extra Deep Bathing Area*
- *Molded Soap Dish*
- *6" Raised wainscot around unit*
- *Faucets may be installed on either end of unit*

### • MATERIALS & CONSTRUCTION

Durable fiberglass with smooth gelcoat finish provides a scratch and mar resistant surface. Problems of mold, mildew, leaks and caulking replacement are completely eliminated.

### • MAINTENANCE

A soft cloth and a liquid household cleaner are all that is needed to clean the durable fiberglass non-porous gelcoat surface. Scouring powders and other abrasives should be avoided.

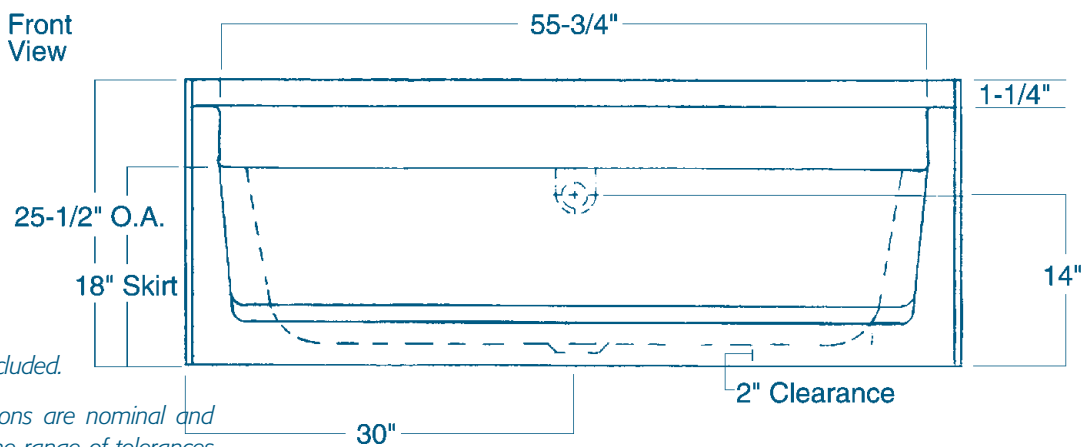
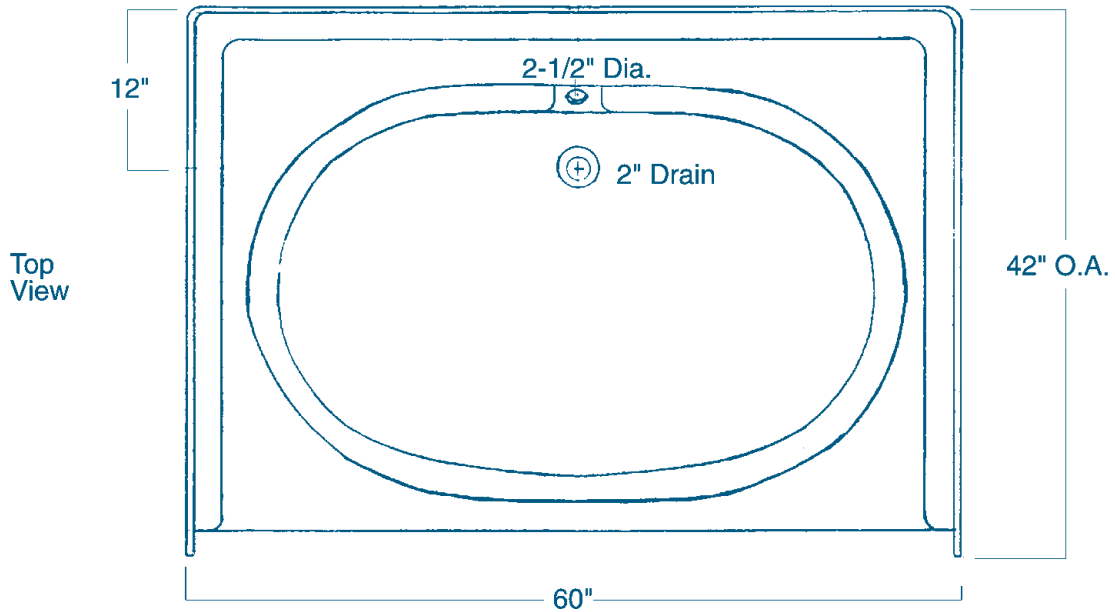
### • WARRANTY

Carolina Classic warrants to the purchaser a 3 year warranty from date of installation against defects in material and workmanship only. See your supplier for more details.



# WILLIAM

## TUB



- Faucets are not included.
- All fixture dimensions are nominal and may vary within the range of tolerances established by ANSI standards, Z124.2.
- All measurements shown are subject to change or cancellation.